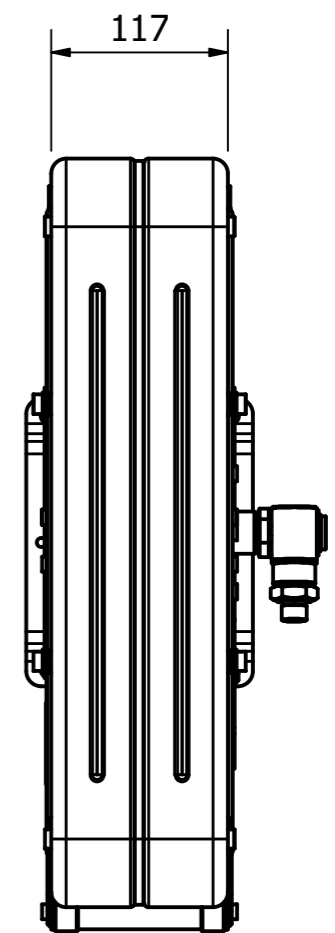
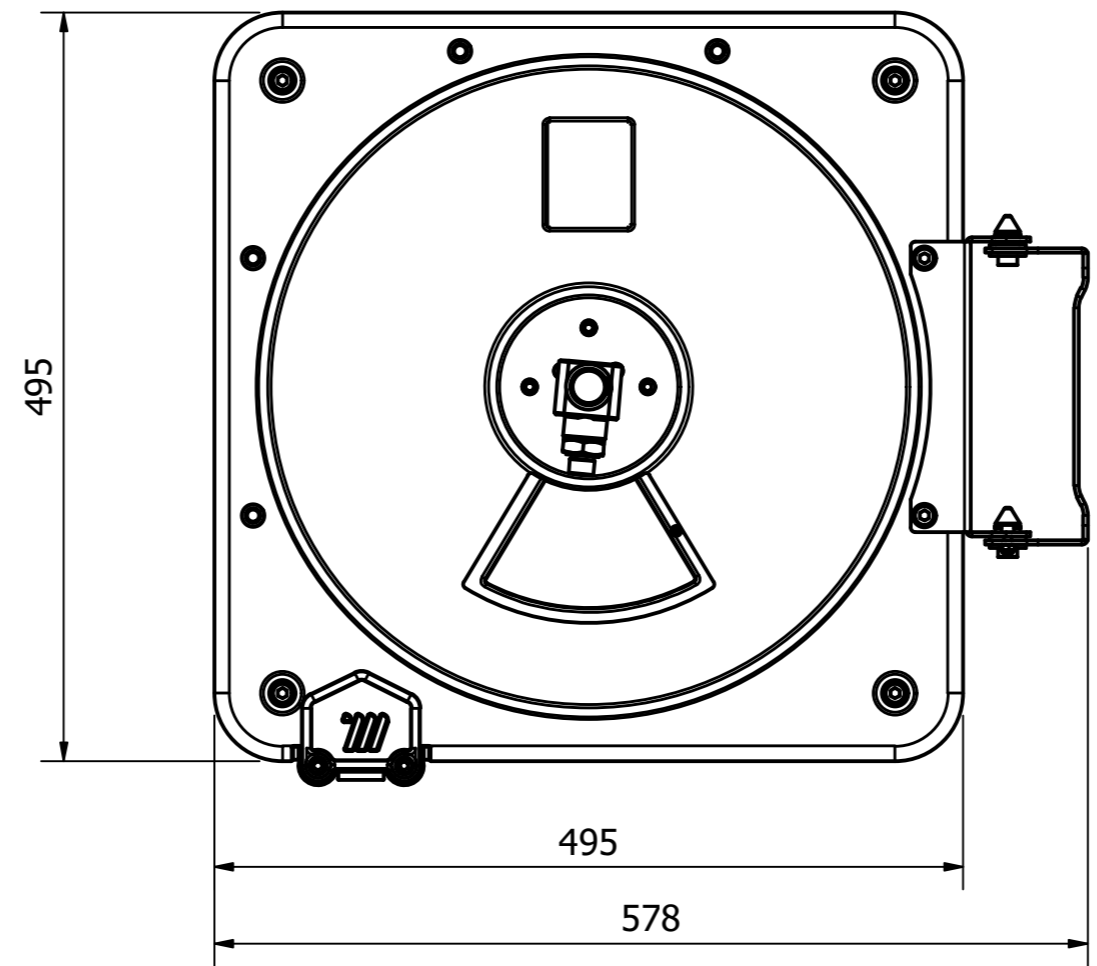
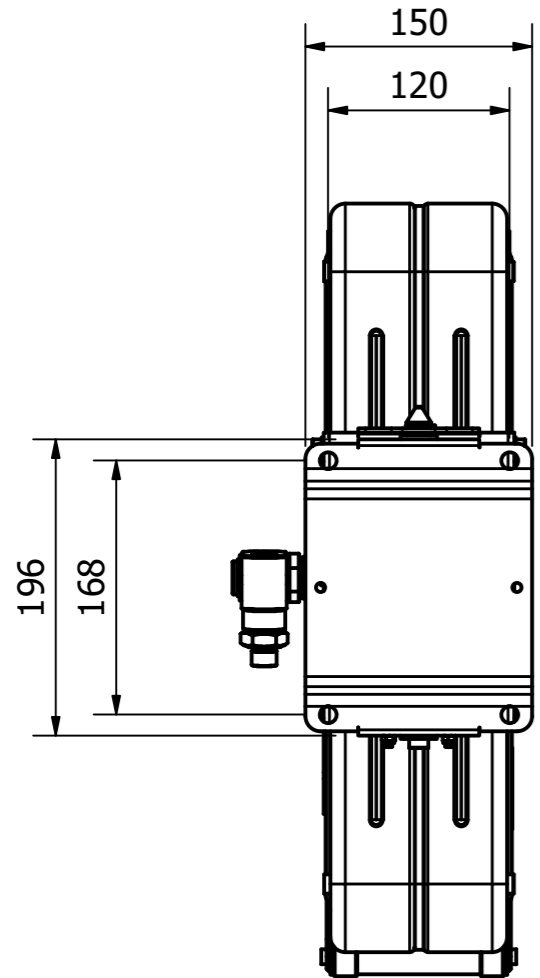
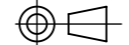


REVISION		
REV.	DESCRIPTION	DATE



MATERIAL:	
FINISH:	
SCALE:	1:5 AT A3 © ALL INTELLECTUAL PROPERTY RIGHTS RESERVED
TOLERANCES:	DIMENSIONS 2 DECIMAL PLACES (10.00) ±0.1mm DIMENSIONS 1 DECIMAL PLACE (10.0) ±0.2mm DIMENSIONS 0 DECIMAL PLACES (10.) ±0.5mm



ReCoila
 Unit 1/10 Melissa Place
 Kings Park NSW 2148
 Australia
 WWW.RECOILA.COM

ISSUED FOR: REFERENCE	APPROVED:
MODEL CS-500 / CSX-500	
DRAWING: - .0	DATE: 22/06/2021
NUMBER - PART REV . DWG REV	SHEET 1 OF 1